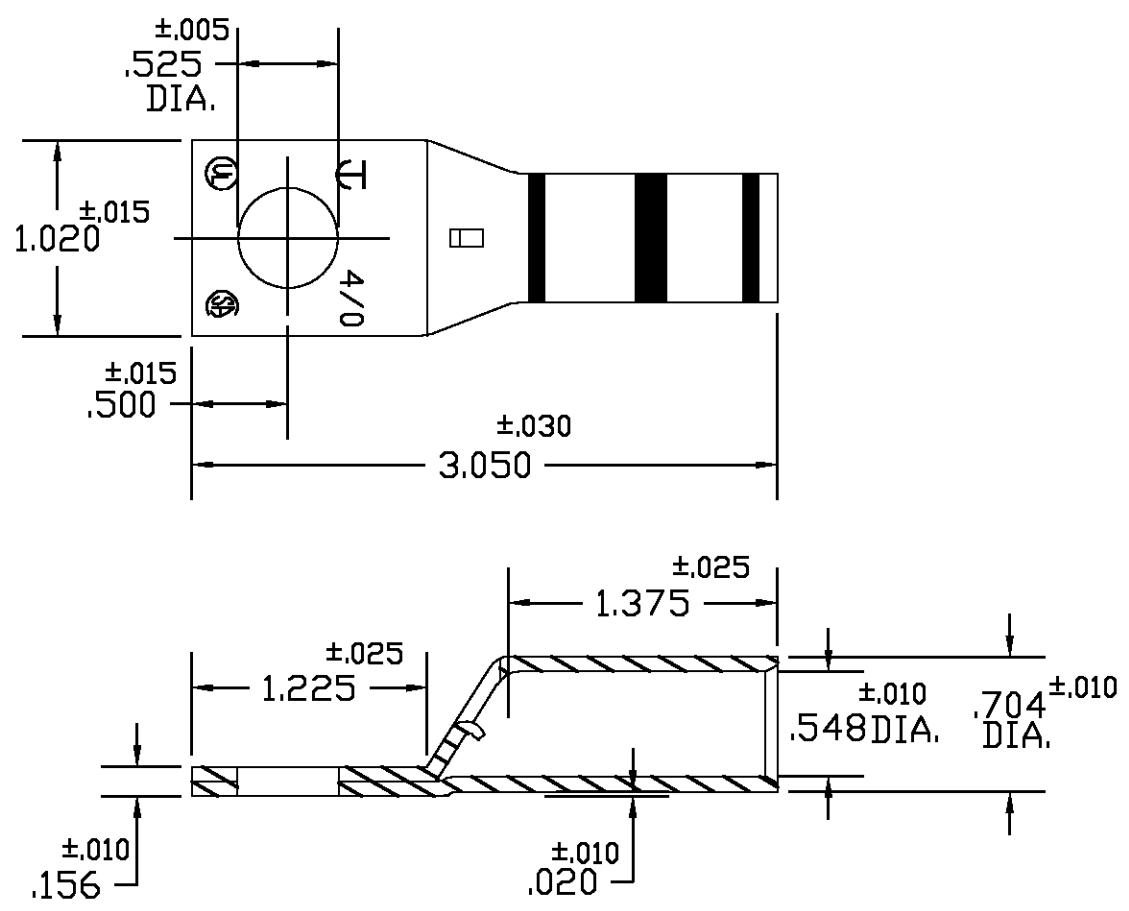


THIS DRAWING IS UNPUBLISHED. RELEASED FOR PUBLICATION  
 © COPYRIGHT BY TYCO ELECTRONICS CORPORATION. ALL RIGHTS RESERVED.

LOC	DIST	REVISIONS					
		P	LTR	DESCRIPTION	DATE	DWN	APVD
G	50		A	REV PER 0G3H-0051-04	23FEB04	JR	MS



COLOR CODED PURPLE

ACTIVE	L-40507	STANDARD	COLOR CODED	1527330-3
STATUS	AET P/N	PACKAGING	FINISH	PART NUMBER

THIS DRAWING IS A CONTROLLED DOCUMENT.		DWN D.A.A 2/8/01	Tyco Electronics Corporation Harrisburg, PA 17105-3608	
DIMENSIONS: INCHES	TOLERANCES UNLESS OTHERWISE SPECIFIED:	CHK H.D.F 2/8/01	NAME TUBULAR TERMINAL #4/0 LONG BARREL	
	0 PLC ± - 1 PLC ± - 2 PLC ± - 3 PLC ± - 4 PLC ± - ANGLES ± -	APVD H.D.F 2/8/01	PRODUCT SPEC	RESTRICTED TO
MATERIAL COPPER ASTM B-75	FINISH	APPLICATION SPEC	SIZE A3	CAGE CODE 00779
		WEIGHT	DRAWING NO C-1527330	
		CUSTOMER DRAWING	SCALE 1:1	SHEET 1 OF 1
			REV A	